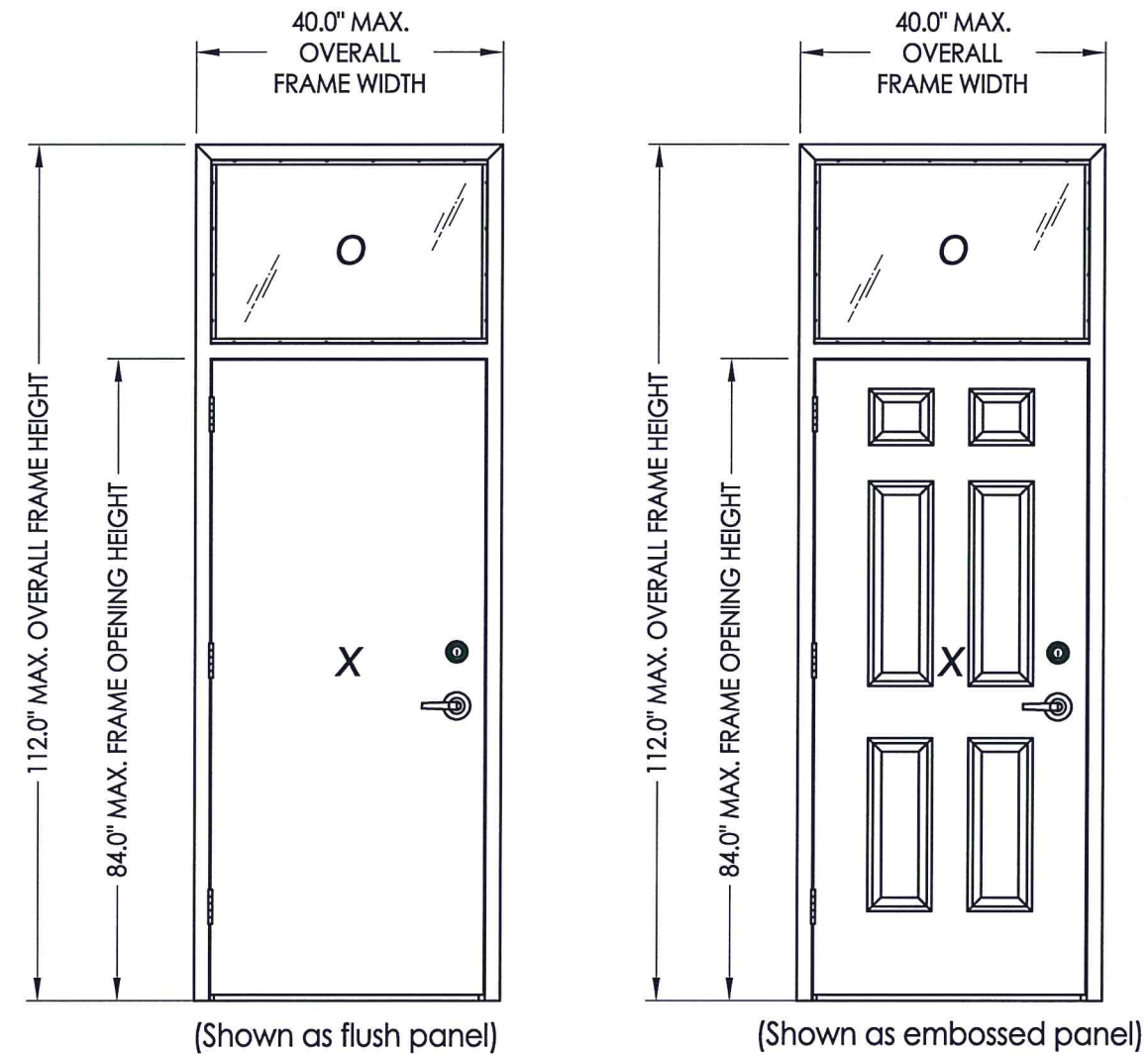


## "D" SERIES COMMERCIAL STEEL DOOR w/ TRANSOM IN SWING / OUT SWING "NON-IMPACT"

### GENERAL NOTES

1. This product has been evaluated and is in compliance with the 7th Edition (2020) Florida Building Code (FBC) structural requirements excluding the "High Velocity Hurricane Zone" (HVHZ).
2. Product anchors shall be as listed and spaced as shown on details. Anchor embedment to base material shall be beyond wall dressing or stucco.
3. When used in areas requiring wind borne debris protection this product is required to be protected with an impact resistant covering that complies with FBC Section 1609.1.2.
4. Site conditions that deviate from the details of this drawing require further engineering analysis by a licensed engineer or registered architect.
5. The "D" door achieves a Class I stiffness classification per Section 8.2.2 of ANSI A250.13 (based on opaque door).

TABLE OF CONTENTS	
SHEET #	DESCRIPTION
1	Typical elevations, design pressures, & general notes
2	Door panel sections 161 lock prep
3	Horizontal cross sections
4	Vertical cross sections
5	Vertical cross sections
6	Anchoring details
7	Glazing detail & components
8	Bill of materials & components

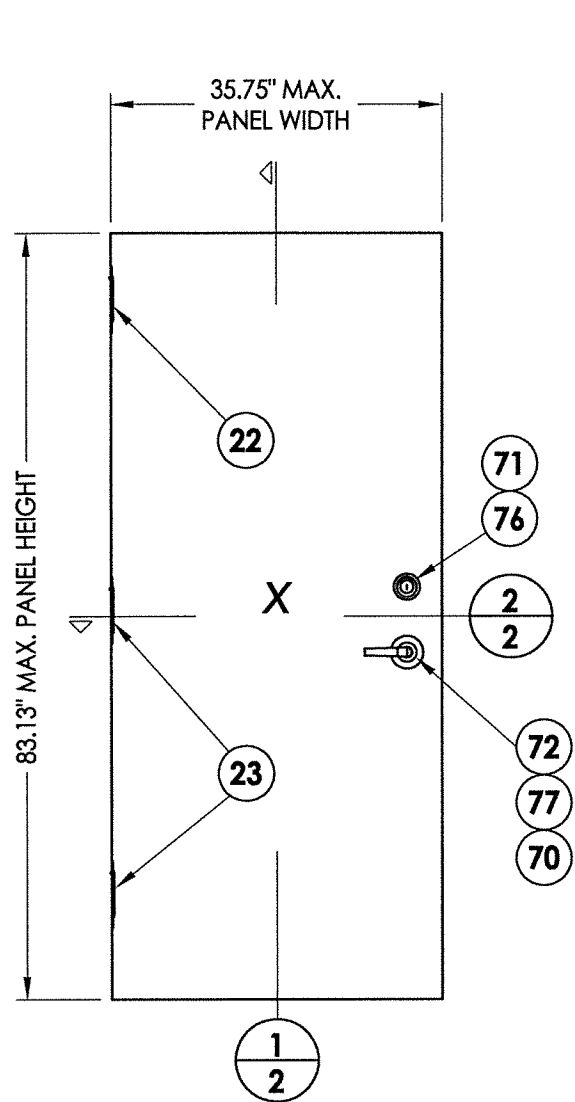


SWING	OVERALL FRAME DIMENSION	OVERALL D.L.O. DIMENSION	LOCK TYPE	DESIGN PRESSURE (PSF)	
				POSITIVE	NEGATIVE
IN SWING	40.0" x 112.0"	34.75" x 22.75"	161 LATCH (SCHLAGE)	+55.0	-55.0
	40.0" x 112.0"	34.75" x 22.75"	161 LATCH & DEADBOLT (DESIGN HARDWARE)	+65.0	-70.0
OUT SWING	40.0" x 112.0"	34.75" x 22.75"	161 LATCH (SCHLAGE)	+55.0	-55.0
	40.0" x 112.0"	34.75" x 22.75"	161 LATCH & DEADBOLT (DESIGN HARDWARE)	+65.0	-70.0

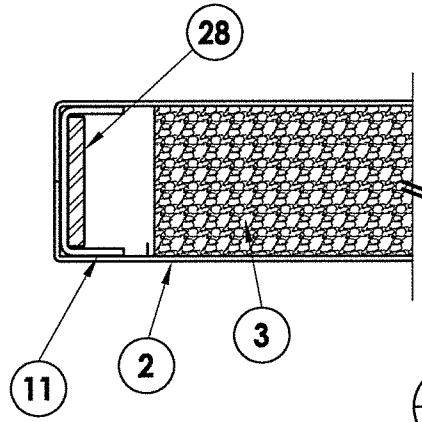
Documents Prepared By:  
 Lyndon F. Schmidt  
 P.E. No. 43409

**R.W.**  
 BUILDING CONSULTANTS, INC.  
 P.O. Box 230, Valrico, FL 33595  
 Phone No.: 813.659.9197  
 FBPE Registry No. 9813

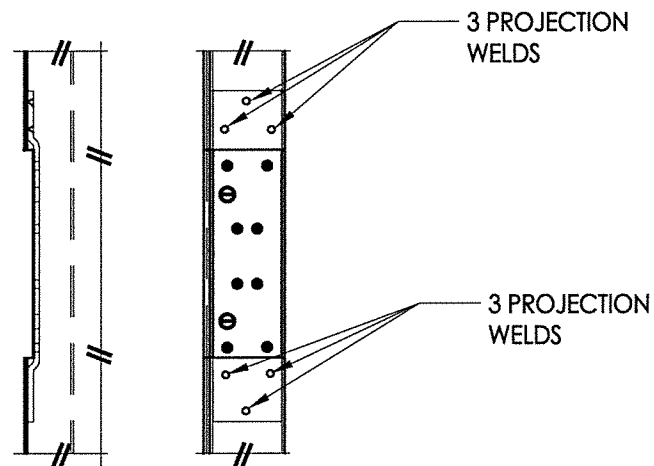
PRODUCT:	PREMIER PRODUCTS, INC. "D" STEEL DOOR
PART OR ASSEMBLY:	TYPICAL ELEVATIONS, DESIGN PRESSURES & GENERAL NOTES
NO.	DATE
BY	REVISIONS
DATE: 11/10/22	
SCALE: N.T.S.	
DWG. BY: LFS	
CHK. BY: RW	
DRAWING NO.: FL-41788.5	
SHEET 1 OF 8	



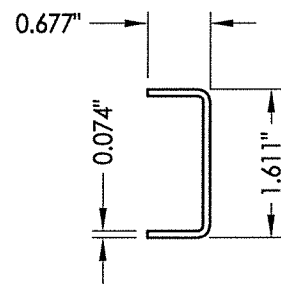
1 "D" OPAQUE STEEL DOOR PANEL



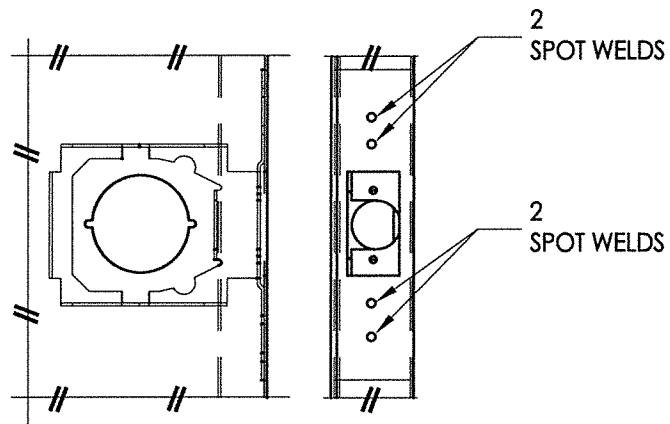
2 HORIZONTAL CROSS SECTION  
2 Door panel



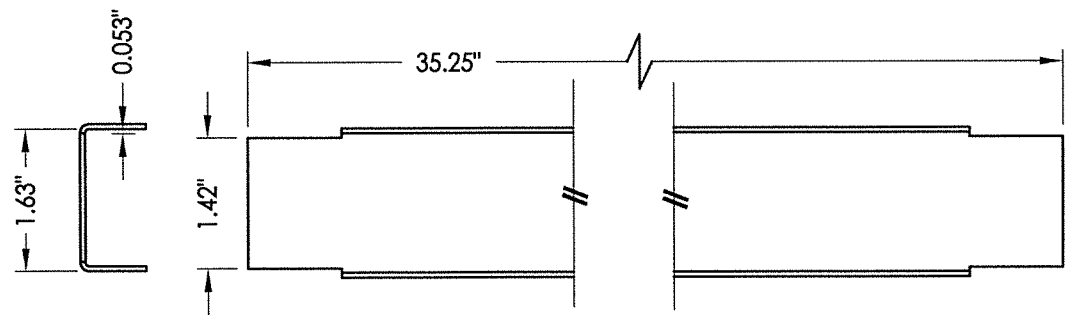
23 DOOR HINGE REINFORCEMENT



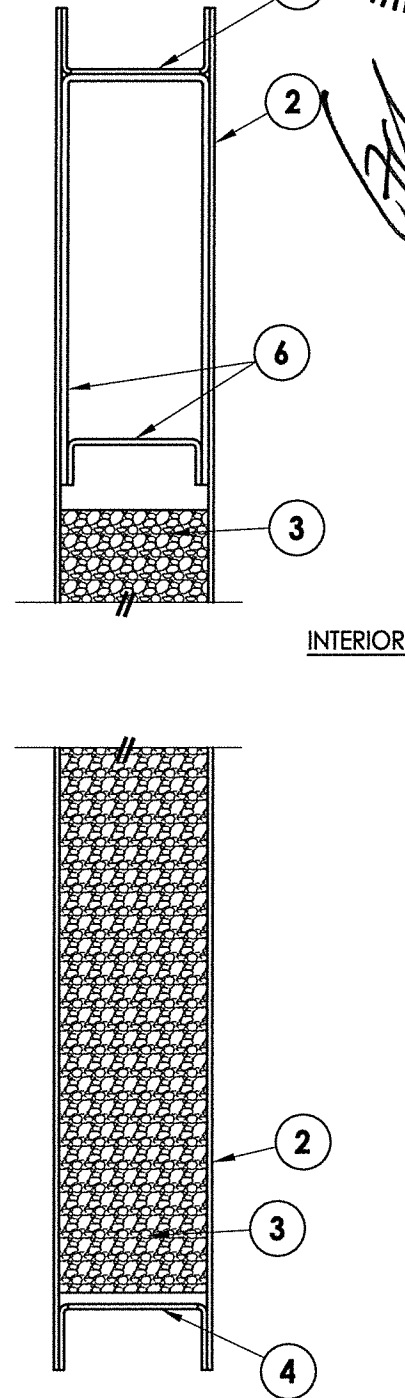
11 DOOR STILE EDGE Reinforcement



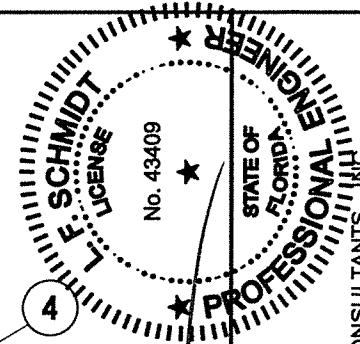
5 LOCK BOX REINFORCEMENT



4 DOOR TOP & BOTTOM CLOSER



1 VERTICAL CROSS SECTION  
2 Door panel



November 15, 2022

Documents Prepared By:  
Lyndon F. Schmidt  
P.E. No. 43409

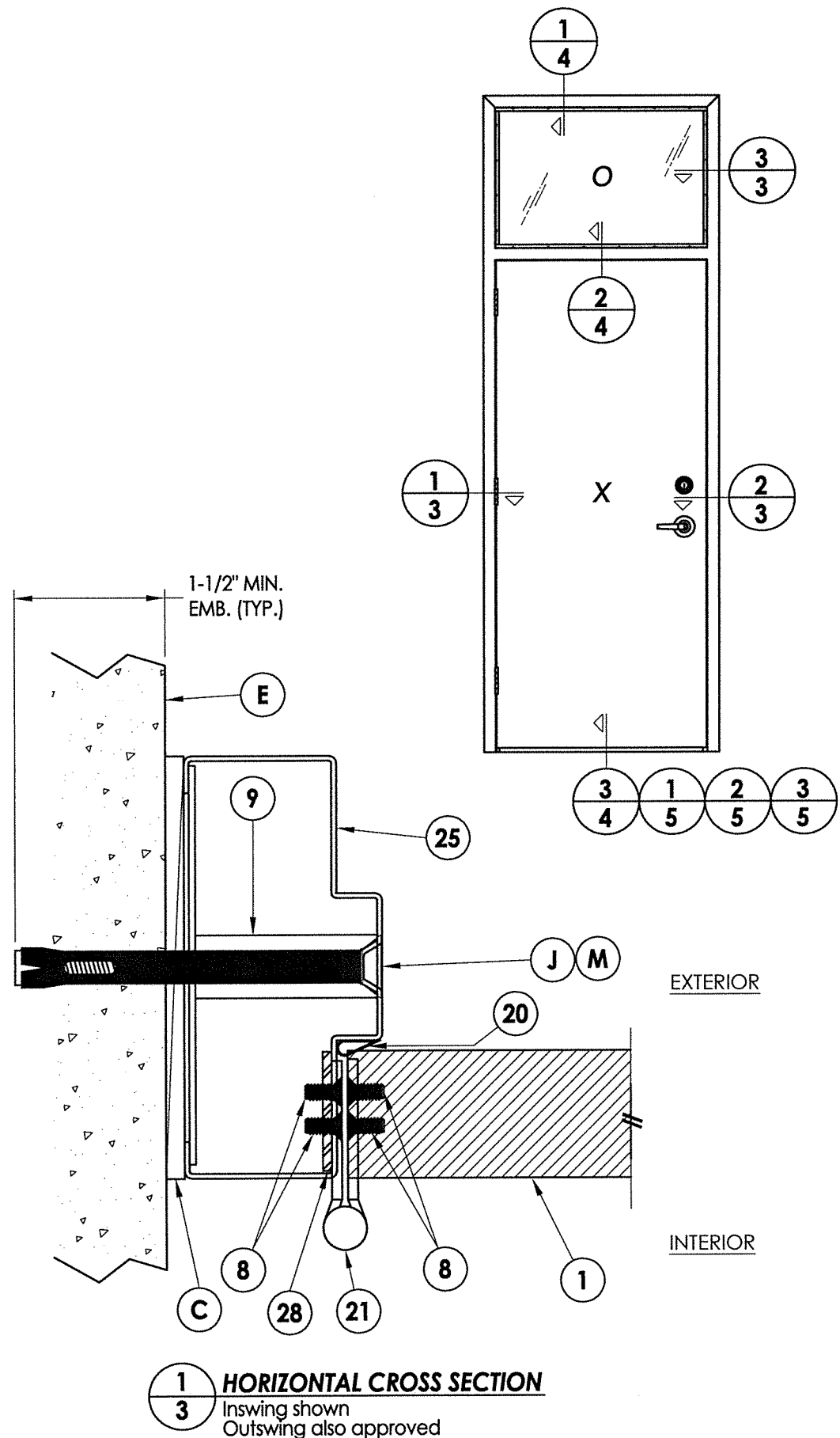
**RW** BUILDING CONSULTANTS, INC.  
P.O. Box 230, Vairico, FL 33595  
Phone No.: 813.659.9197  
FBPE Registry No. 9813

PRODUCT:  
PREMIER PRODUCTS, INC.  
"D" STEEL DOOR

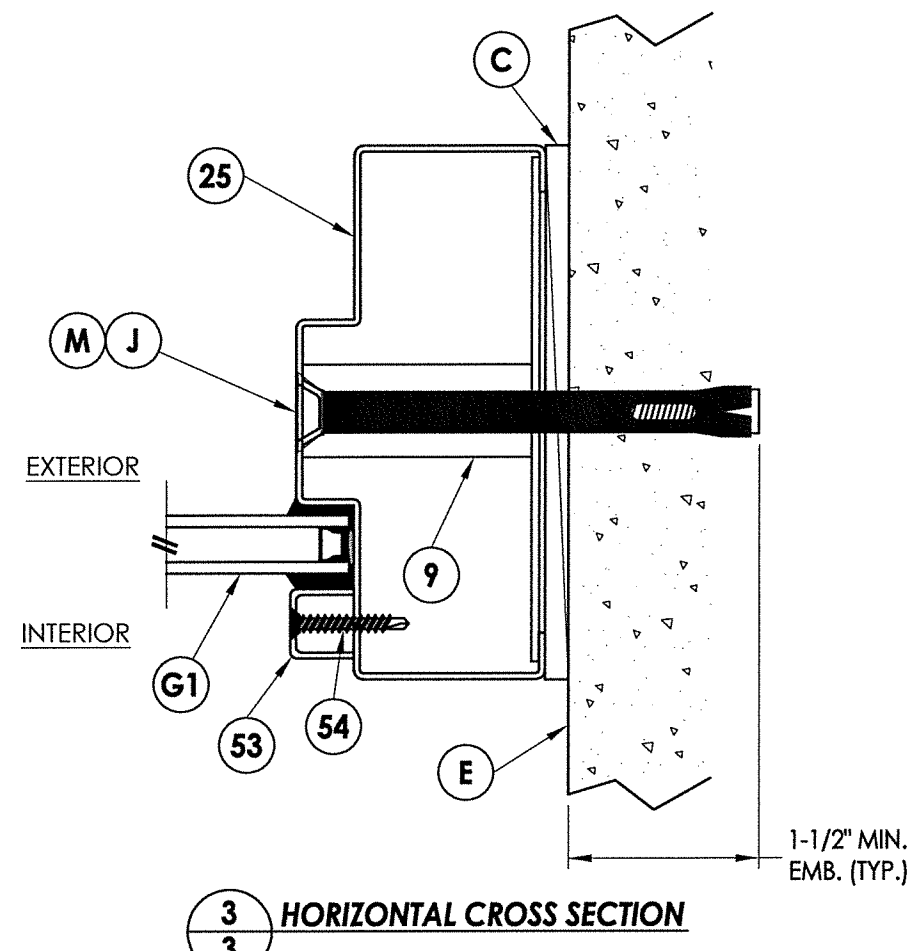
PART OR ASSEMBLY:  
DOOR PANEL SECTIONS  
161 LOCK PREP

NO.	DATE	BY

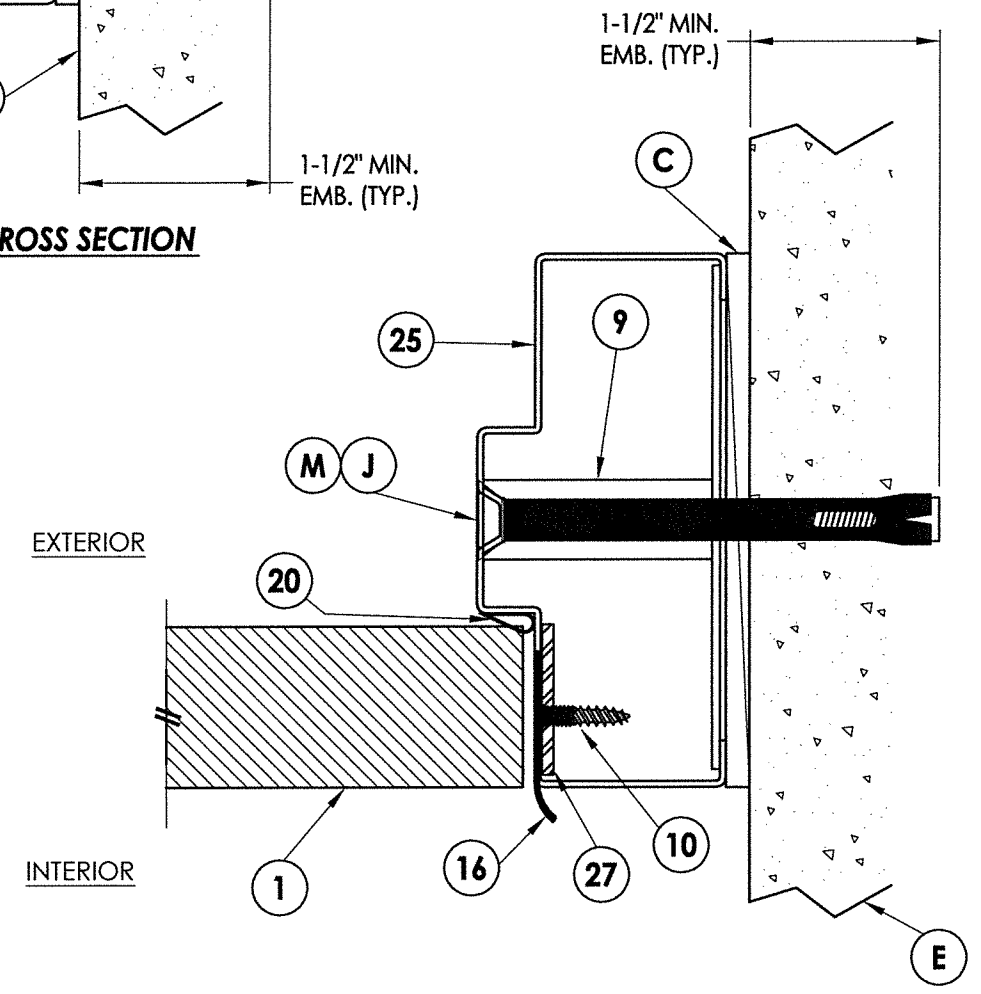
DATE: 11/10/22  
SCALE: N.T.S.  
DWG. BY: LFS  
CHK. BY: RW  
DRAWING NO.:  
FL-41788.5  
SHEET 2 OF 8



**1** HORIZONTAL CROSS SECTION  
**3** Inswing shown  
 Outswing also approved



**3** HORIZONTAL CROSS SECTION



**2** HORIZONTAL CROSS SECTION  
**3** Inswing shown  
 Outswing also approved

November 15, 2022  
 Documents Prepared By:  
 Lyndon F. Schmidt  
 P.E. No. 43409

**R.W.** BUILDING CONSULTANTS, INC.  
 P.O. Box 230, Valrico, FL 33595  
 Phone No.: 813.659.9197  
 FBPE Registry No. 9813

PRODUCT: PREMIER PRODUCTS, INC. "D" STEEL DOOR	PART OR ASSEMBLY: HORIZONTAL CROSS SECTIONS
NO. DATE	REVISIONS BY
DATE: 11/10/22 SCALE: N.T.S. DWG. BY: LFS CHK. BY: RW DRAWING NO.: FL-41788.5 SHEET 3 OF 8	









